



## **Installation instructions**

### **Audi A4 2012 ►**

**Diffuser with decorative trim,  
for scope of delivery 8K0.071.620.C or  
8K0.071.620.D**

**Audi Genuine Accessories**

Edition 04.2012



## Contents

<b>1</b>	<b>General notes</b> .....	<b>1</b>
<b>2</b>	<b>Please read carefully before you begin!</b> .....	<b>2</b>
2.1	Painting guideline for primed PUR-RIM components .....	2
<b>3</b>	<b>Parts overview</b> .....	<b>3</b>
<b>4</b>	<b>Sequence of operations</b> .....	<b>4</b>
4.1	Preparations .....	4
4.2	Removing the underpanel of the bumper cover .....	4
4.3	Attaching the diffuser with decorative trim .....	5
<b>5</b>	<b>Appendices: Certificates, expert evaluations</b> .....	<b>6</b>



# 1 General notes

Please read and take note of these WARNING, Caution and Note descriptions before carrying out maintenance or repair work.

 **WARNING**

*Text with this symbol contains information concerning your safety and indicates potential accident and injury risks.*

 **Caution**

*Text with this symbol indicates the risk of damage to your vehicle.*

 **Note**

*Text with this symbol contains additional information.*

- Text with this symbol describes a work instruction (guideline).
- Text with this symbol describes a condition to be maintained (fulfilled).
- ◆ Text with this symbol is used to show a list.

**Special tools are required for assembly. Improper installation can cause damage to the vehicle or the add-on parts.**

**Audi AG shall not accept responsibility in the event of failure to comply with these assembly instructions.**



## 2 Please read carefully before you begin!

### 2.1 Painting guideline for primed PUR-RIM components

**Sanding:** Wet P 600

---

<b>Base paint:</b>	<b>Herberts quality:</b>
	Corresponds to: LMT 626 / ALD 626 UNI undercoat lacquer LMT 845 / ALD 645 metallic undercoat lacquer LPC 045 / ALD 045 pearl colour undercoat lacquer

Viscosity:	20 sec.
Applications:	2
Coat thickness:	Approx. 20 µm
Airing time:	10 min.
Final airing time:	15 min.
Spray gun:	Devilbiss GTI 1.4 mm

<b>Clear paint:</b>	<b>Herberts quality:</b>
	Corresponds to: Two-component MS clear paint new L2K 769 011 + 10% softener 2 : 1 + 10% thinner

Viscosity:	18 sec.
Applications:	2
Coat thickness:	Approx. 50 µm
Airing time:	10 min.
Drying:	Overnight at 20 °C
Spray gun:	Devilbiss GTI 1.4 mm

#### **Caution**

**Add-on components must always be painted in accordance with the „Audi Paintwork Guideline“.**

**Contrary to the guideline, add-on components must not be heat-dried but instead left to dry overnight at 20 °C — risk of deformation!**



### 3 Parts overview

Parts required:

Vehicles with twin exhaust tailpipes left:

Assembly set 8K0.071.620.C

Comprising:

Units	Part number	Description
1	8K0.071.611.B	Rear diffuser, double left
1	8K0.071.311.A	Decorative trim
1	8K0.071.737.B	Assembly package
1		Installation instructions

Vehicles with an exhaust tailpipe left and right

Assembly set 8K0.071.620.D

Comprising:

Units	Part number	Description
1	8K0.071.611.C	Rear diffuser, left + right
1	8K0.071.311.A	Decorative trim
1	8K0.071.737.B	Assembly package
1		Installation instructions

Package contents - mounting hardware for rear diffuser 8K0.071.737.B

Units	Part number	Description
1	8E0.825.267	Expanding plastic rivet 8 x 21
3	N.910.135.01	Screw for plastics 5x20

In addition, you will require:

- ◆ Removal lever -80 - 200-
- ◆ Removal wedge -3409-
- ◆ Standard fabric tape/masking tape
- ◆ Audi paint to match the vehicle's colour



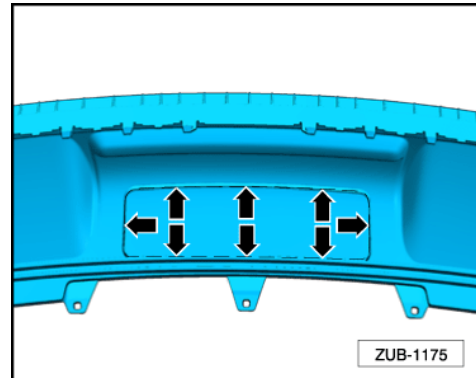
## 4 Sequence of operations

### 4.1 Preparations

#### Note

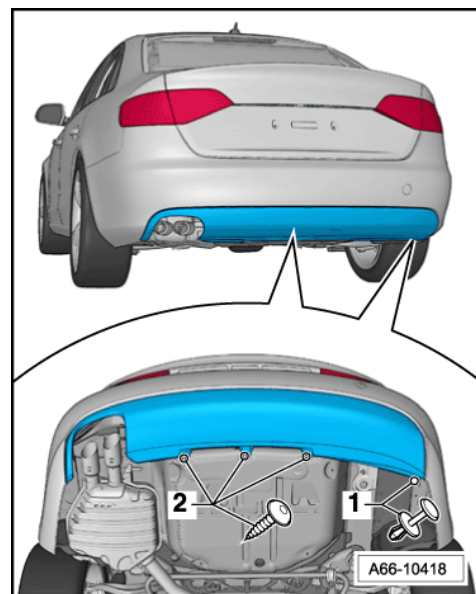
*The add-on components are precision-manufactured and already primed. Nevertheless, they must be test-fitted in accordance with these assembly instructions prior to painting.*

- Check all parts for proper fit on the vehicle before painting.
- For vehicles with towing brackets, cut out the diffuser in the marked area within the circumferential rib -arrows-.
- Mask bonding surfaces.
- Paint the parts to be installed ⇒ [Page 2](#).
- When installing the „Audi Genuine Accessories® rear apron“, the diffuser must be fitted immediately after positioning the rear apron!



### 4.2 Removing the underpanel of the bumper cover

- When installing the „Audi Genuine Accessories® diffuser“ and „Audi Genuine Accessories® rear apron“, the „Audi Genuine Accessories® rear apron“ must be fitted first!
- Unscrew and discard the screws -2- on the bottom part of the bumper cover.
- For vehicles with a twin exhaust tailpipe on the left, dismantle and discard the expanding rivet -1-.



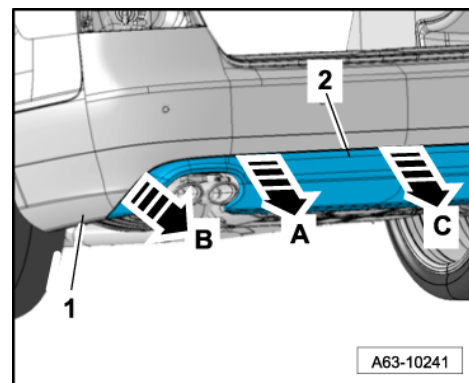


- Starting in the sequence --arrows A --... C-, unclip underpanel 2 for bumper cover above the exhaust tailpipe from the bumper cover 1.

If necessary, install the rear apron ⇒ Rear apron installation instructions.

**!** *Caution*

*Too much force causes the clip channel to warp!*

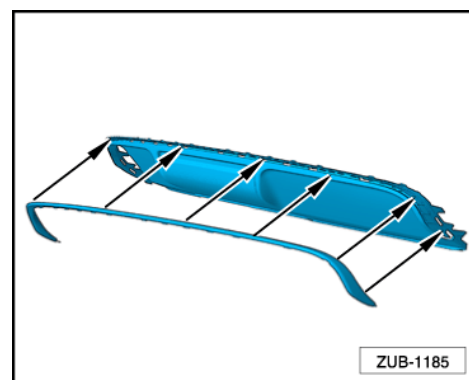


### 4.3 Attaching the diffuser with decorative trim

- The diffuser in combination with the „Audi Genuine Accessories® rear apron“ is installed immediately after the „Audi Genuine Accessories® rear apron“ is installed.
- Insert the decorative trim into the diffuser; make sure it engages securely.

Installation of the diffuser follows the reverse sequence for removal of the underpanel for the bumper cover ⇒ [Page 4](#); be careful to observe the following:

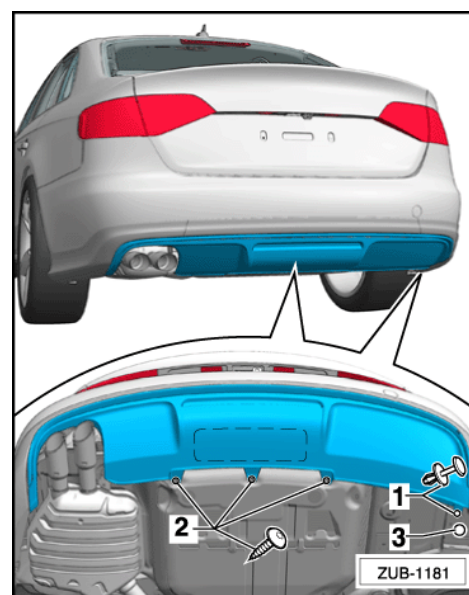
- Pull in the moulded tabs onto the individual retainer tabs from the rear using the pliers, while holding up the clip channel by hand.



- Insert and tighten screws -2-.
- For vehicles with a twin exhaust pipe on the left, install new (longer) expanding rivets -1- - reach into the hole -3- in the Cw trim and hold up.

**Tightening torques:**

Component	Nm
Diffuser screws	1.5





## 5 Appendices: Certificates, expert evaluations

The following are included after the installation instructions:

- ◆ the manufacturer's certificate of Audi AG
- ◆ Excerpt from the EC certification issued by the German Federal Motor Transport Authority
- ◆ Certificate from SGS-TÜV Saar GmbH (Technischer Überwachungs Verein/Technical testing organisation)

### **Note**

*Enclose any required country-specific documents from the appendix with the vehicle documents, so that these can be presented to authorised persons upon request.*